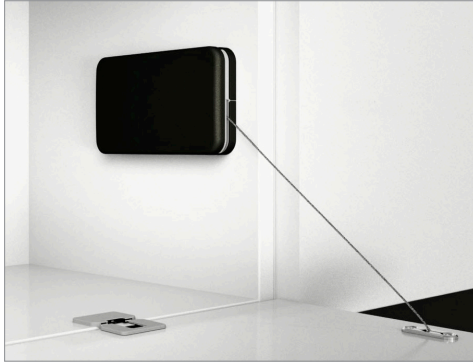




NEW: KINVARO D-M FLAP HOLDER WITH CABLE STAY






- Damped opening and closing
- Opening angle adjustable (length of cable)
- Spring force adjustment
- Can be used with shallow cabinets from 110 mm depth
- Flap weight up to 10 kg
- Flap height 200mm – 480mm
- Can be used left/right
- Straightforward horizontal or vertical installation
- Cover caps in white, Night and Smoke finish
- Works perfectly with Tiomos flap hinge

ORDER DETAILS

Kinvaro D-M Flap Stay

	Force	Colour	Item-No.	PU
	60N	Grey	F053139661	607
	100N	Grey	F053139662	607

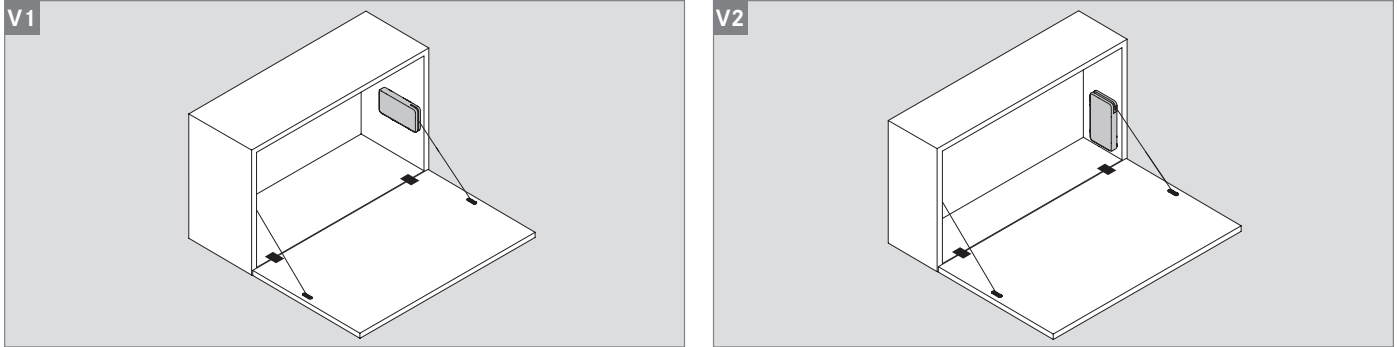
Kinvaro D-M Cover Cap

	Colour	Item-No.	PU
	Night	F053139669	507
	White	F053139668	507
	Smoke	F053139670	507

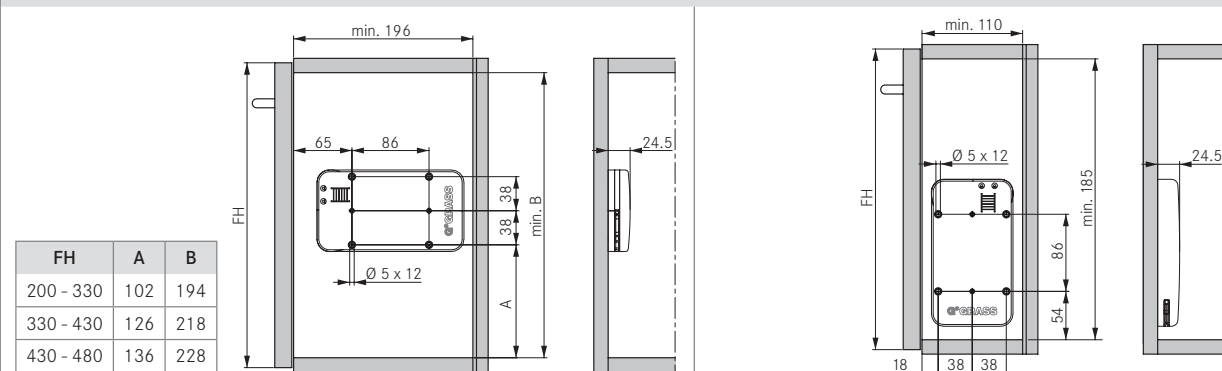
Packaging unit (PU):

507 = 10 units in PE in a cardboard box
607 = 10 units in a cardboard box

ASSEMBLY INSTRUCTION



Seitenbohrungen/Side panel drilling/Perçage lateral/Fortura spalla/Taladro costado



Türbohrungen/Door drilling/Perçage porte/Fortura anta/Taladro puerta



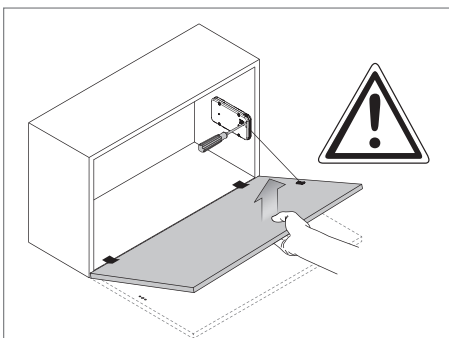
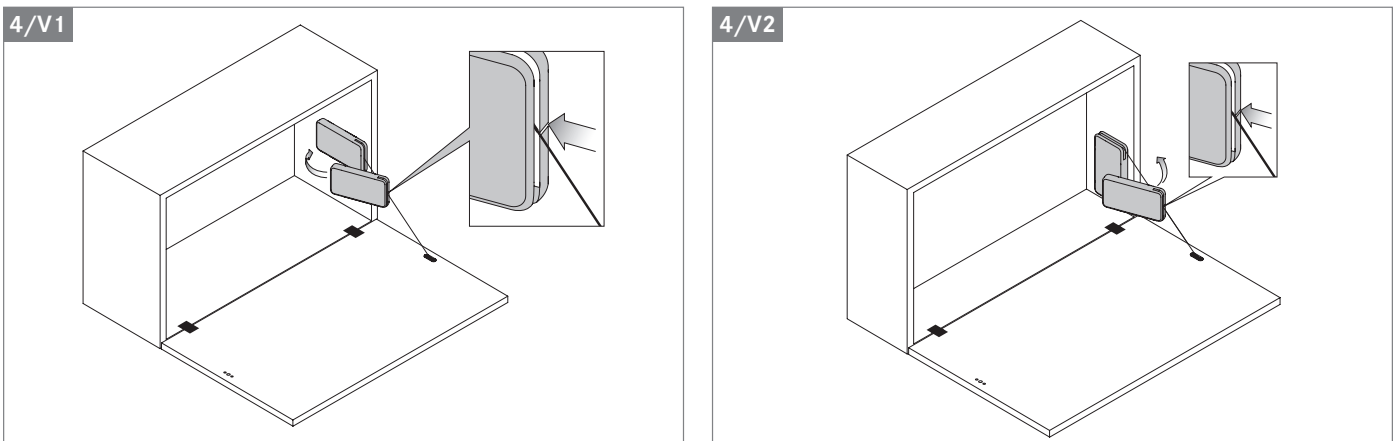
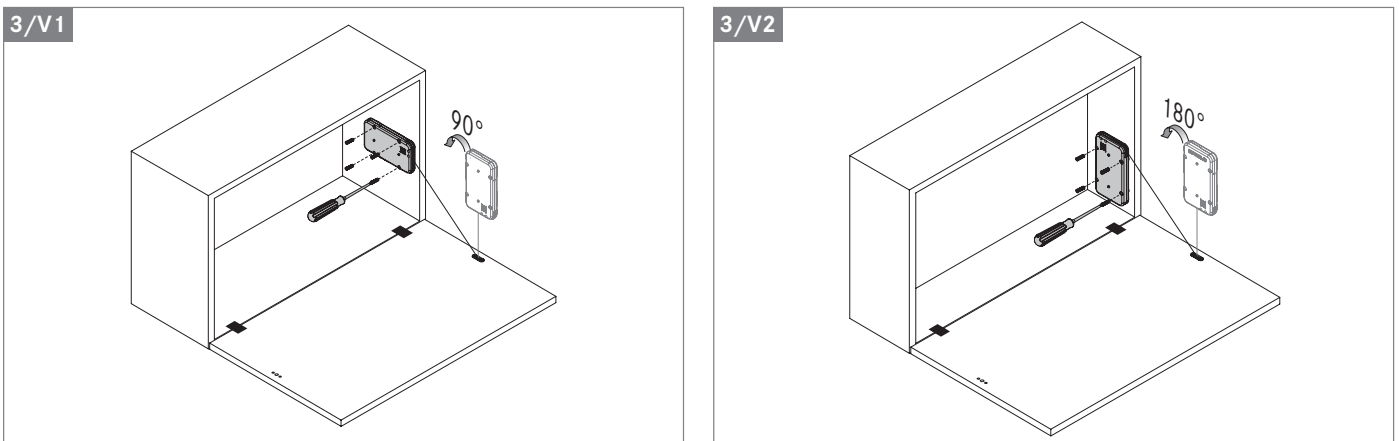
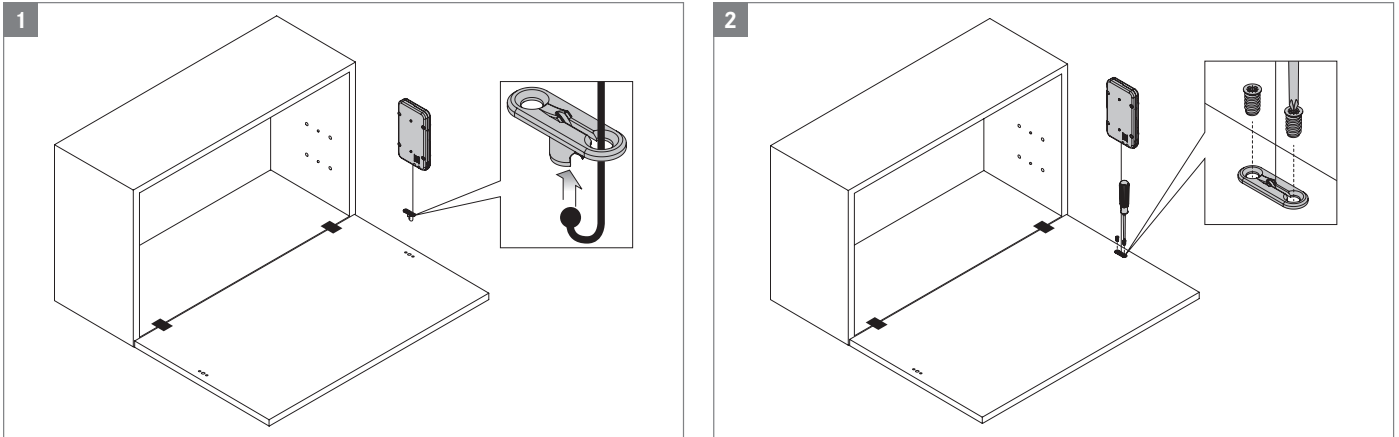
Tabellen der Türgewichte/Door weight tables/Tables poids des portes/Tabella pesi anta/Tablones pesos puertas

V1	Feder/Spring/R ressort/Molla/Muelle				V2	Feder/Spring/R ressort/Molla/Muelle			
	60N		100N			60N		100N	
Hp	Kinvaro D x1	Kinvaro D x2	Kinvaro D x1	Kinvaro D x2	Hp	Kinvaro D x1	Kinvaro D x2	Kinvaro D x1	Kinvaro D x2
200 - 230	4 - 4.8	-	4.2 - 6.2	-	200 - 230	4.1 - 5.9	-	5.3 - 7.3	-
230 - 270	3 - 4.4	6 - 8.4	3.6 - 5.2	6.8 - 9.6	230 - 270	3.3 - 4.8	6.8 - 9.6	4.2 - 6	9.6 - 12.8
270 - 330	2.9 - 3.8	5.6 - 7.8	3 - 4.6	6.4 - 8.8	270 - 330	3.2 - 4.5	6.3 - 8.1	3.8 - 5.1	7.9 - 11.1
330 - 380	2.7 - 3.7	5 - 8	3.2 - 4.3	6.5 - 8.5	330 - 380	2.6 - 3.4	5 - 6.5	3.3 - 4.5	7.3 - 8.5
380 - 430	2.9 - 3.6	4.5 - 6.1	3.1 - 3.9	5.7 - 7.3	380 - 430	2.5 - 3.4	5 - 6.2	3.2 - 4.2	6.2 - 8.2
430 - 460	2.7 - 3.1	4.3 - 6.1	2.7 - 3.9	5.9 - 8.3	430 - 460	2.3 - 3	4.6 - 6.2	3 - 3.8	6.2 - 7.8
460 - 480	2.5 - 2.9	4.1 - 5.7	2.8 - 3.8	5.3 - 7.7	460 - 480	2.4 - 3.2	4.6 - 6	2.8 - 4	5.6 - 7.8

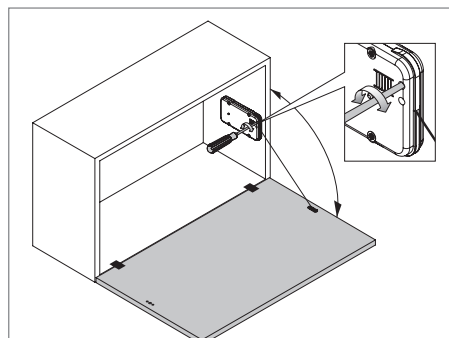


Das Gewicht und die Position des Griffes können die Leistung des Mechanismus beeinflussen./The weight and the position of the handle may influence the performance of the mechanism./Le poids de la porte et la position de la poignée sont des facteurs influençant les prestations du mécanisme./Il peso e la posizione della maniglia possono influenzare le prestazioni del meccanismo./El peso y el posicionamiento del tirador pueden afectar las prestaciones del mecanismo.

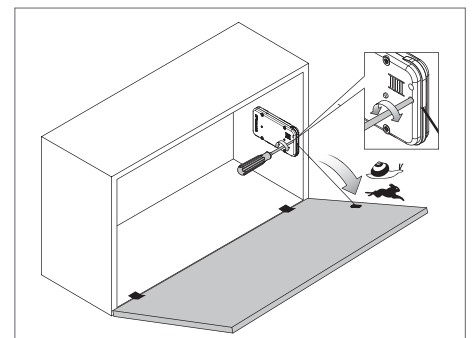
ASSEMBLY INSTRUCTION



Während der Einstellung Türgewicht erleichtern/Lighten up door during the adjustment/Alléger poids de la porte pendant le réglage/Scaricare peso anta durante la regolazione/Aligerar peso de la puerta durante el ajuste



Einstellung des Öffnungswinkels/Opening angle adjustment/Réglage de l'angle d'ouverture/Regolazione angolo di apertura/Regulación del angulo de apertura



Einstellung der Öffnungsgeschwindigkeit/Opening speed adjustment/Réglage de la vitesse d'ouverture/Regolazione velocità apertura/Regulación de la velocidad de apertura